

AggregatorTAP: Fiber

1G | Portable | Aggregation, Breakout and Regeneration



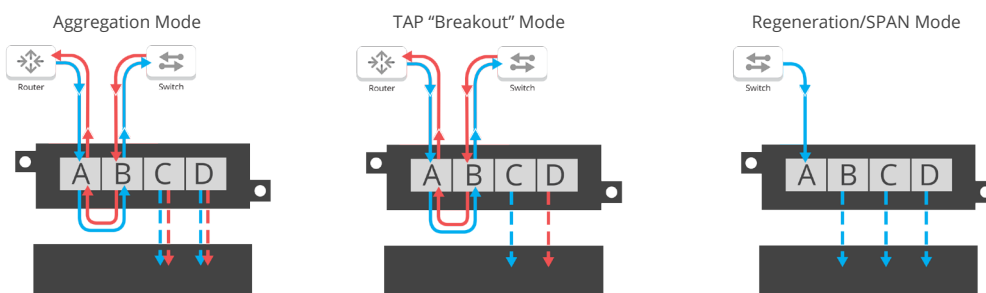
Network test access points (TAPs) are hardware tools that allow you to access and monitor your network. TAPs are purpose-built hardware devices that let you see every bit, byte and packet.®

AggregatorTAPs are used to capture 100% full duplex traffic that can then be sent to multiple monitoring appliances to analyze your network. AggregatorTAPs supports aggregation and regeneration/SPAN modes, as well as tap 'breakout' mode, providing flexibility to manage your network.

Key Features

- Media conversion; SX or LX to copper or SFP
- Portable, Plug & Play
- Easy configuration; switches on back of TAP
- Supports tap 'breakout,' aggregation, regeneration/SPAN modes
- Supports jumbo frames
- 1U rack mount holds up to four portable TAPs
- Passes physical errors
- A & B live network ports are passive, zero interruption if network is powered up or down.
- 100% secure and invisible; no IP address, no MAC address; cannot be hacked
- Made, tested and certified in USA

Network Flow



APPLICATIONS:

- TAP once and send to multiple monitoring devices.
- Capture full duplex traffic from both directions.
- Switch to breakout mode for full utilization to capture 100% traffic.

SOLUTIONS:

AggregatorTAPs are ideal for:

- Wireshark
- Analyzers
- Intrusion Detection System
- Application Performance Monitoring
- Lawful Intercept
- Packet Capture
- Data Forensics

Competitive Edge

- Media Conversion; SX or LX
- Supports breakout, aggregation, regeneration/SPAN modes
- Tested and Certified




Have Questions?

sales@garlandtechnology.com
+716.242.8500
garlandtechnology.com

AggregatorTAP: Fiber

1G | Portable | Aggregation, Breakout and Regeneration

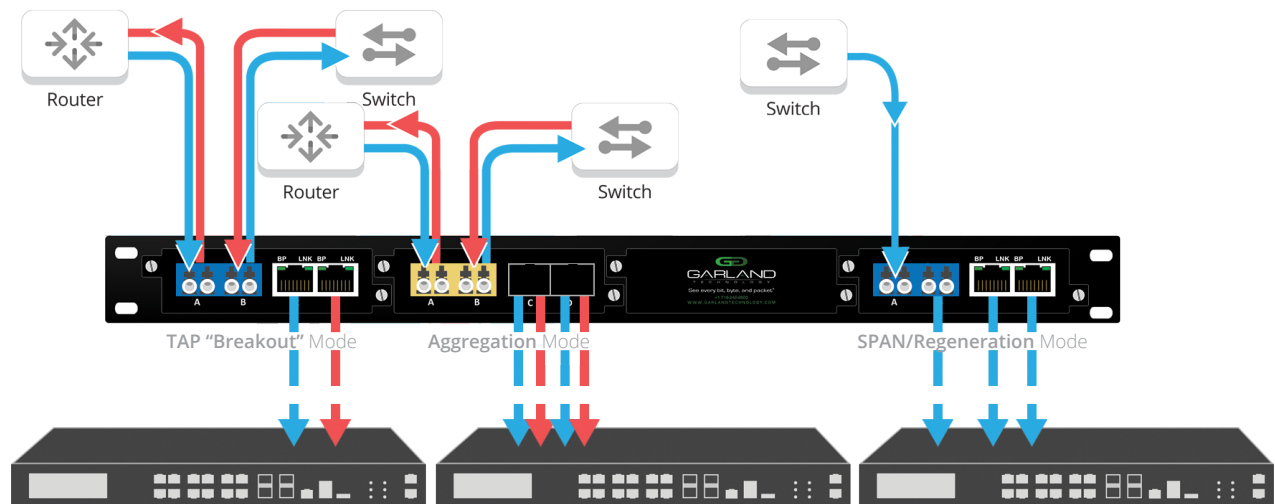
Model #	Network Speed	Media		Modes			
		Network	Monitor	Breakout	Aggregation	Regeneration	Bypass
RMP-1U		1U Rack Mount Kit - Holds up to 4 Portable TAPs					
P1GMCA	1G	2 SX Multi-mode Fiber - LC	2 Copper - RJ-45	Yes	Yes	Yes	No
P1GMSA	1G	2 SX Multi-mode Fiber - LC	2 SFP	Yes	Yes	Yes	No
P1GSCA	1G	2 LX Single-mode Fiber-LC	2 Copper - RJ-45	Yes	Yes	Yes	No
P1GSSA	1G	2 LX Single-mode Fiber-LC	2 SFP	Yes	Yes	Yes	No

Additional Specifications

Voltage: 5 DC
Current: < 1.6 Amps
Max. Consumption: < 8 Watts
Ambient Temp.: 0C to +40C / +32F to +104F
Operating Re. Humidity: 90% non-condensing

Dimensions (HxWxD):
 1.15" x 3.9" x 6.5"
 (29.21mm x 99.06mm x 165.10mm)
Weight: 0.7lbs (0.317kg)

Use Case



This document is for informational purposes only. The information in this document, believed by Garland Technology to be accurate as of the date of publication, is subject to change without notice. Garland Technology assumes no responsibility for any errors or omissions in this document and shall have no obligation to you as a result of having made this document available to you or based upon the information it contains. ©2019 Garland Technology LLC. All Rights Reserved