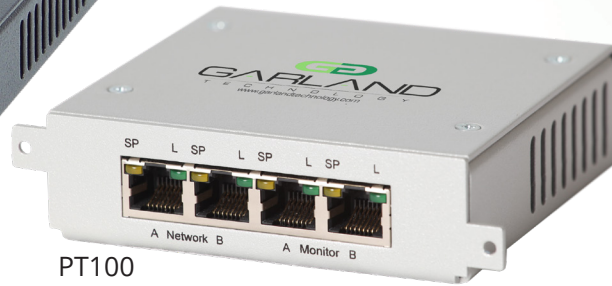


# Copper Network TAP

10M/100M or 10/100/1000M (1G) | Portable | Breakout



P1GCCB



PT100

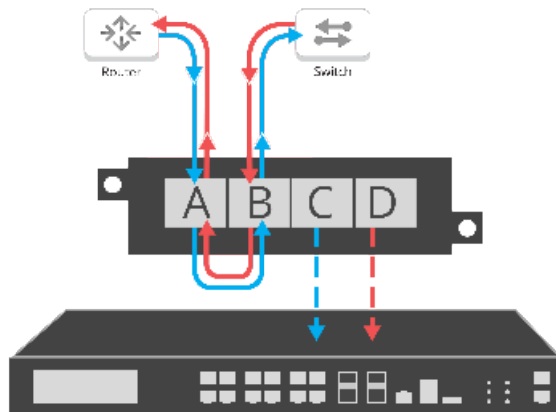
Network test access points (TAPs) are hardware tools that allow you to monitor your network. These purpose-built hardware devices copy 100% of your networks data allowing your monitoring tools to see every bit, byte and packet.®

These portable network TAPs are ideal for 10/100M or 10/100/1000M copper network monitoring and troubleshooting. This is a must-have item for any network trouble-shooting toolbox.

## Key Features

- Copper network and monitoring ports
- DC powered models
- 1U rack mount holds up to 4 portable TAPs
- Link failure propagation
- 100% secure and invisible; no IP address, no MAC address, cannot be hacked
- Lowest latency TAP
- Easy to configure with switches on back
- Optional link speed synchronization
- Passes physical layer errors
- Supports Jumbo frames
- Available in passive and fail-safe models
- PoE (Power over Ethernet)
- Supports tap 'breakout' Mode
- Made, tested and certified in the USA

## Network Flow



TAP "Breakout" Mode

## APPLICATIONS:

- Network & Application Monitoring
- Network & Application Analysis
- Network & Application Performance

+ Breakout Mode is ideal when utilization is very high and packet loss is not an option.

## SOLUTIONS:

Copper Network TAPs are ideal for:

- IDS Intrusion Detection Systems
- APM Application Performance Monitoring
- Lawful Intercept
- Packet Capture
- DPI Deep Packet Inspection
- Network Analyzer
- Forensics

## Competitive Edge

- Noiseless operation. No moving parts.
- Portable - A trouble-shooting tool kit must have.
- Tested and Certified




## Have Questions?

sales@garlandtechnology.com  
+716.242.8500  
garlandtechnology.com

# Copper Network TAP

10M/100M or 10/100/1000M (1G) | Portable

| Model # | Network Speed   | Chassis Size                                   | # of TAPs | Passive         | Power | Serial Port | Media  | Connector/Mode |
|---------|---|--|-----------|-----------------|-------|-------------|--------|----------------|
| RMP-1U  |  | 1U Rack Mount Kit - Hold up to 4 Portable TAPs |           |                 |       |             |        |                |
| PT100   | 10/100Mbps  | Portable                                       | 1         | Yes             | DC    | No          | Copper | Copper - RJ45  |
| P1GCCB  | 10/100/1000Mbps (1Gbps)   | Portable                                       | 1         | Failsafe Design | DC    | No          | Copper | Copper - RJ45  |

## Additional Specifications

### P1GCCB

**Dimensions (HxWxD):** 1.15" x 3.9" x 6.5"

(29.21mm x 99.06mm x 165.10mm)

**Weight:** 0.7 lbs (0.3175 kg)

**Ambient Temperature:** 0C to +40C / +32F to +104F

**Storage Temperature:** -20C to +70C / -4F to +158F

**Voltage:** 5VDC

**Current (nominal):** 1.6 Amps

**Maximum consumption:** 8 Watts

**Humidity:** 90% non-condensing

### PT100

**Dimensions (HxWxD):** 1.15" x 3.9" x 3.84"

(29.21mm x 99.06mm x 97.6mm)

**Weight:** 0.45 lbs (0.204 kg)

**Ambient Temperature:** 0C to +40C / +32F to +104F

**Storage Temperature:** -20C to +70C / -4F to +158F

**Voltage:** 5VDC

**Current (nominal):** 0.36 Amps

**Maximum consumption:** 1.8 Watts

**Humidity:** 90% non-condensing

**MTBF:** 150,000+hrs