

# PacketMAX™: Advanced Features Dedup

10G | Advanced Feature Node | Deduplication



The PacketMAX™: Advanced Features Dedup is an advanced feature node, designed as a standalone platform to extend the feature set of any product. The system is designed to support large window deduplication. Deduplication can significantly reduce the processing overhead from security or monitoring tools.

The 4x10G SFP+ ports support SR, LR, and ER MSA compliant transceivers.

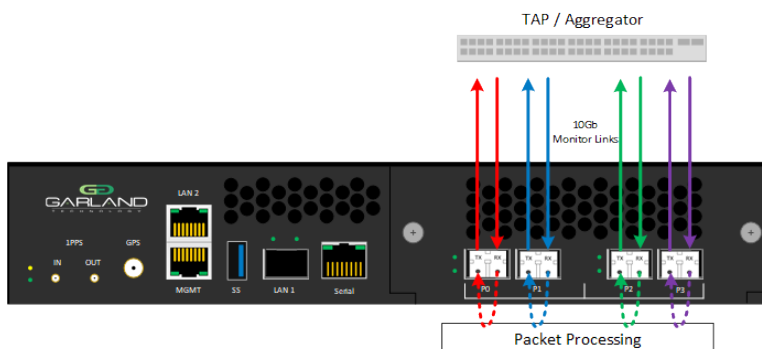
## Key Features

- FPGA Based design for increased flexibility
- Large window deduplication (4M packet window, 200ms for an average size of 256B)
- Designed, tested and certified in the USA

## Applications

- Extend the feature set of Garland's Advanced Aggregators or any existing infrastructure
- Reduce the load to security or monitoring tools by removing duplicate packets introduced by SPAN ports
- Extending the life of existing security and monitoring tools by reducing traffic volume

## Traffic Flow



### Solutions:

- Garland's Advanced Features Dedup is ideal for:
- Adding advanced features to existing equipment
  - Supplementing features of new installs

### Competitive Edge

- Full 4x10G Line rate support
- 200ms deduplication window
- No annual feature license fee
- Tested and Certified





### Have Questions?

sales@garlandtechnology.com  
+716.242.8500  
garlandtechnology.com

# PacketMAX™: Advanced Features Dedup

10G | Advanced Feature Node | Deduplication

Model #		Network Speed	Ports	Power	Watts
AF10G4AC		10G	(4) SFP+	1 AC power supplies	135W
AF10G4DC		10G	(4) SFP+	1 DC power supplies	135W

Available Pluggables & Cables	
Model #	Description
SFP+SR10	SFP+ 10Gigabit-SR Multi-Mode Fiber LC Connector - only supports 10G
SFP+LR10	SFP+ 10Gigabit-LR Multi-Mode Fiber LC Connector - only supports 10G

### Specifications:

Power Consumption: 135w max  
 Operating Temp: 0C to 50C / +32F to +122F  
 Operating Humidity: 0%-95% non-condensing  
 Chassis Dimensions: 1.75"H x 12.28"W x 14"D (44.5mm H x 209.6mm W x 355.6mm D)

## Use Case

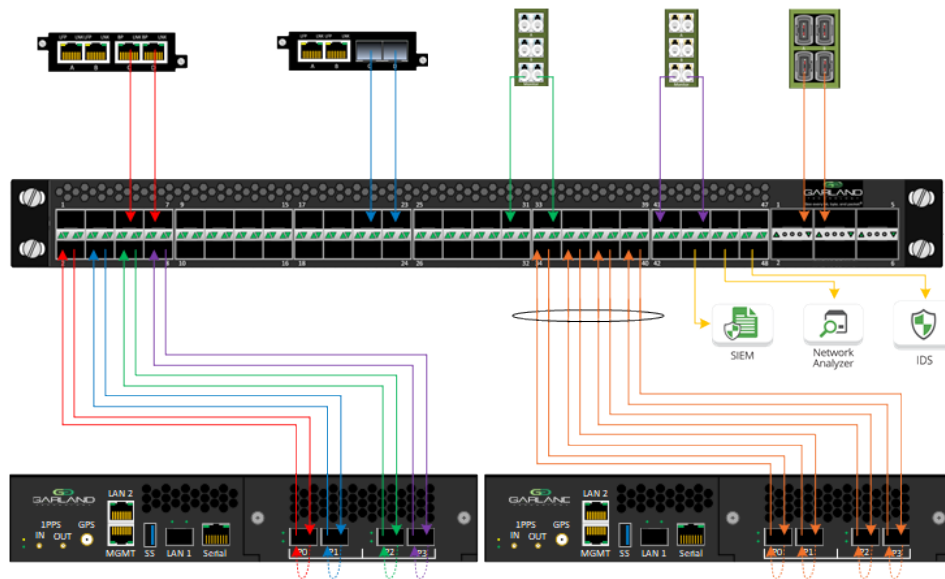


Diagram: The PacketMAX: Advanced Features Dedup can be used with any existing infrastructure or new install to increase pre-tool bandwidth reduction. In this use case, tapped traffic is being routed and load balanced through a PacketMAX: Advanced Aggregator into two Dedup appliances.