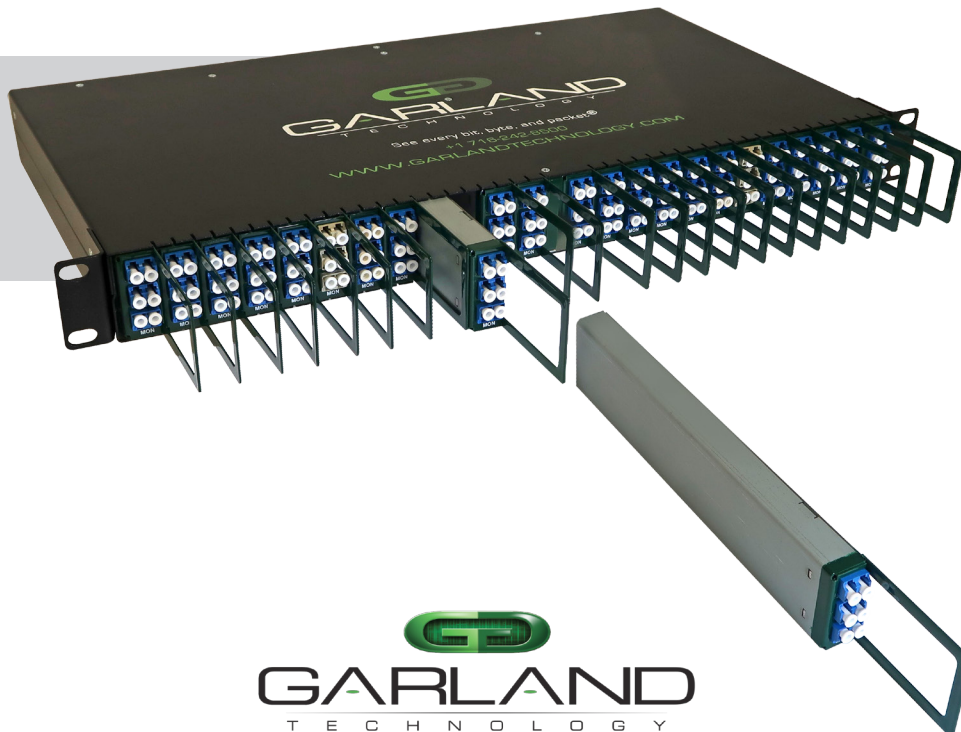
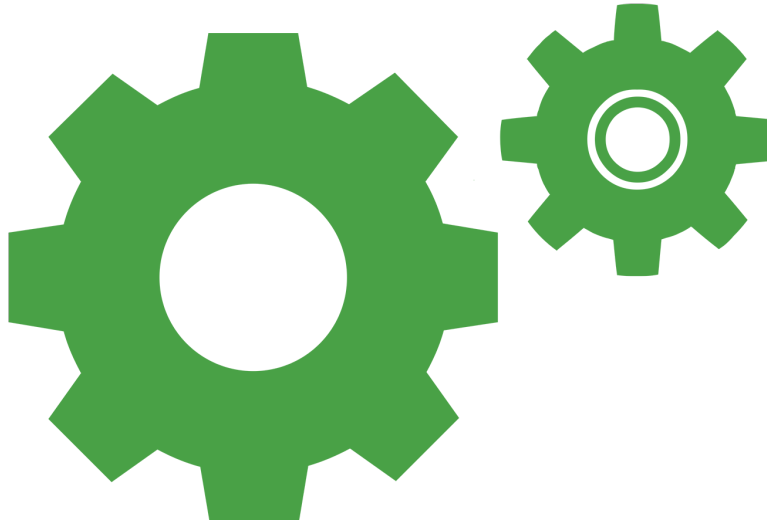


Install Guide

Passive Fiber Modular Chassis | June 2017 | v1.0



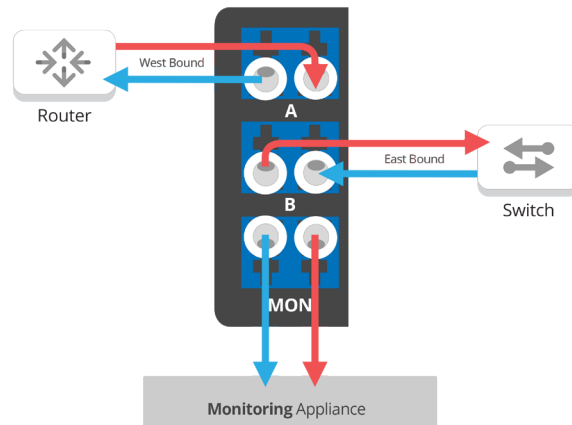
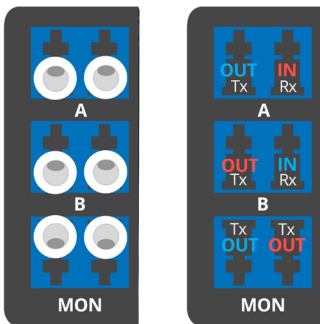
See every bit, byte, and packet®

Passive Fiber Modular Chassis Module Options:

- 1G and 10G Multi-mode Fiber TAPs
- 1G, 10G, 40G, and 100G Single-mode Fiber TAPs
- 40G and 100G Multi-mode MTP-12 SR4 and 100G Multi-mode MTP-24 SR10 TAPs
- 40G-SR-BiDi | Supports Cisco BiDirectional Optical Technology

Module Options

1G and 10G Multi-mode Fiber TAPs

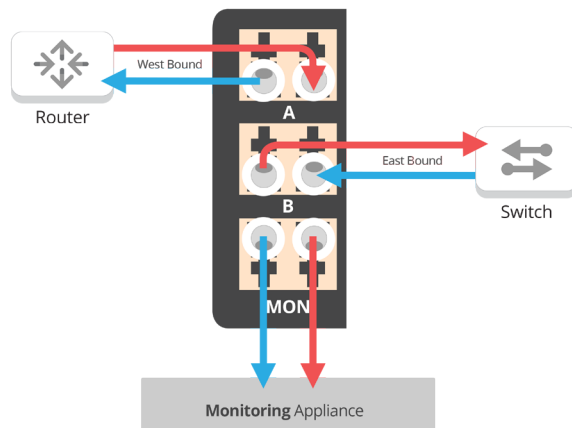
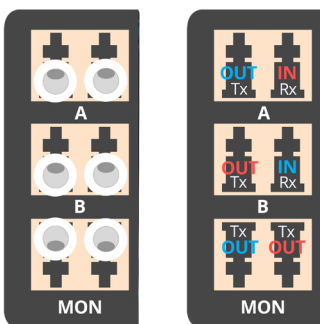


- OM4 technology supports OM3 + OM4, with higher performance and less dB loss
- 100% utilization with new prism based fiber splitters
- LC multi-mode fiber support supports 1G-SX and 10G-SR

Dimensions:

Module: 1.627 H x 1.028 W x 8.000 L
Handle: an additional 2.25 inches

1G, 10G, 40G, and 100G Single-mode Fiber TAPs

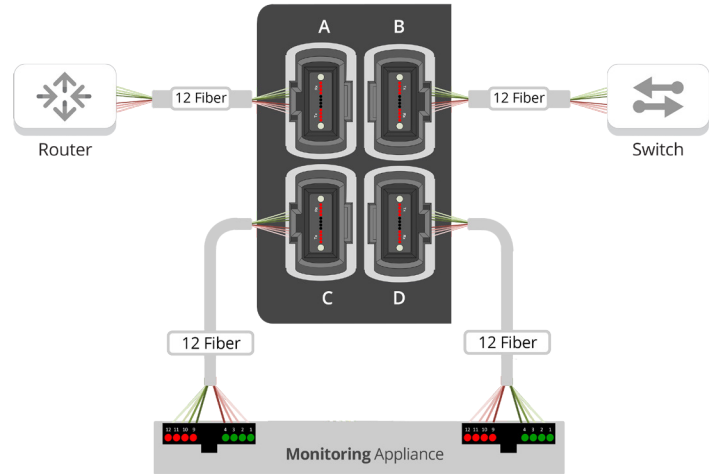
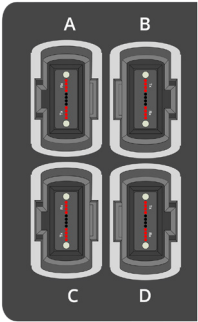


- LC Single-mode LR (long range) and ER (extended range) fiber will support: 1G-LX, 10G-LR, 40G-LR4, 40G-ER4, and 100G-LR4

Dimensions:

Module: 1.627 H x 1.028 W x 8.000 L
Handle: an additional 2.25 inches

40G and 100G Multi-mode MTP-12 SR4 TAPs

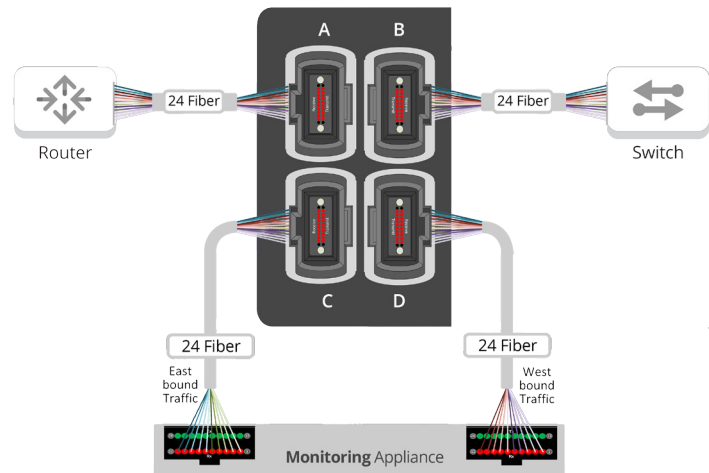
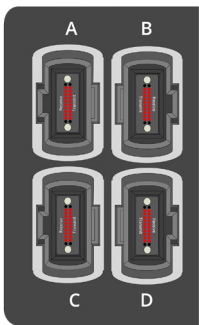


- Supports 100G-SR4 and 40G-SR4
- MTP® brand connectors have the lowest dB loss per connector
- OM4 technology supports OM3 + OM4, with higher performance & less dB loss
- 100% utilization with new prism based fiber splitters

Dimensions:

Module: 1.627 H x 1.028 W x 8.000 L
Handle: an additional 2.25 inches

100G Multi-mode MTP-24 SR10 TAPs

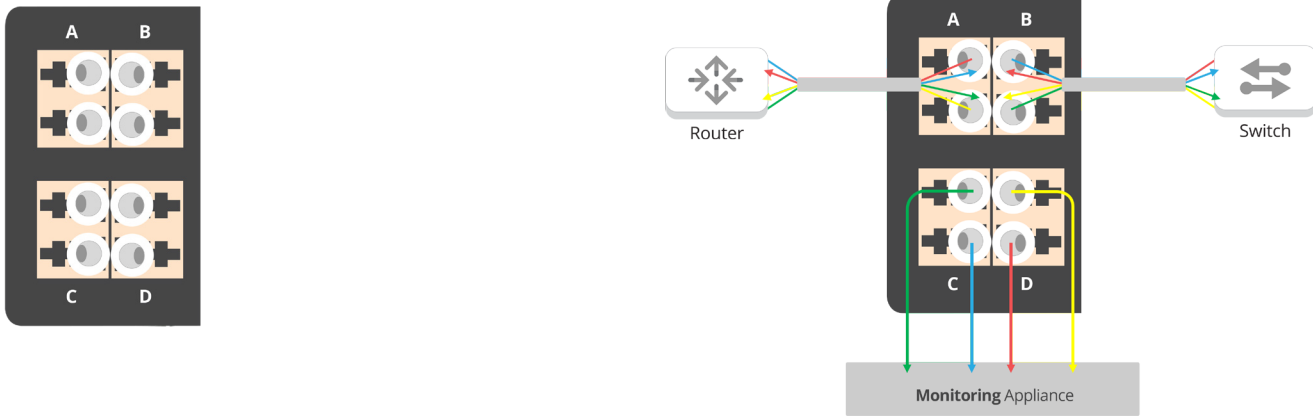


- Supports 100G-SR10
- MTP® brand connectors have the lowest dB loss per connector
- OM4 technology supports OM3 + OM4, with higher performance & less dB loss
- 100% utilization with new prism based fiber splitters

Dimensions:

Module: 1.627 H x 1.028 W x 8.000 L
Handle: an additional 2.25 inches

40G-SR-BiDi | Supports Cisco BiDirectional Optical Technology



- OM4 technology supports OM3 + OM4, with higher performance & less dB loss
- 100% utilization with new prism based fiber splitters

Dimensions:
 Module: 1.627 H x 1.028 W x 8.000 L
 Handle: an additional 2.25 inches

Installation •

Cabling:

- **Port A** is a full-duplex fiber tap port that should be connected to one of the two network devices where network monitoring is desired.
- **Port B** is a full-duplex fiber tap port that should be connected to the other side or adjacent network device where network monitoring is desired.
- **MONITOR port** is a dual-simplex directional port (both sides are output only) which should be connected to the input or receive only side of two interfaces of any monitoring device(s) that will collect the tapped traffic.
- **Breakout/TAP mode:** Separates data flows for half-duplex directional monitoring. Ideal when utilization is very high and packet loss is not an option.
- **Link Failure Propagation:** Allows link state to be mirrored to adjacent live network interfaces. When one side of a network loses link on a connecting fiber tap, the link state is propagated to the other interface of the tap and ultimately to the other side of the network.
- **Passive:** A powerless device. Live network tap ports maintain link with each other, continuing traffic flow between critical network devices.