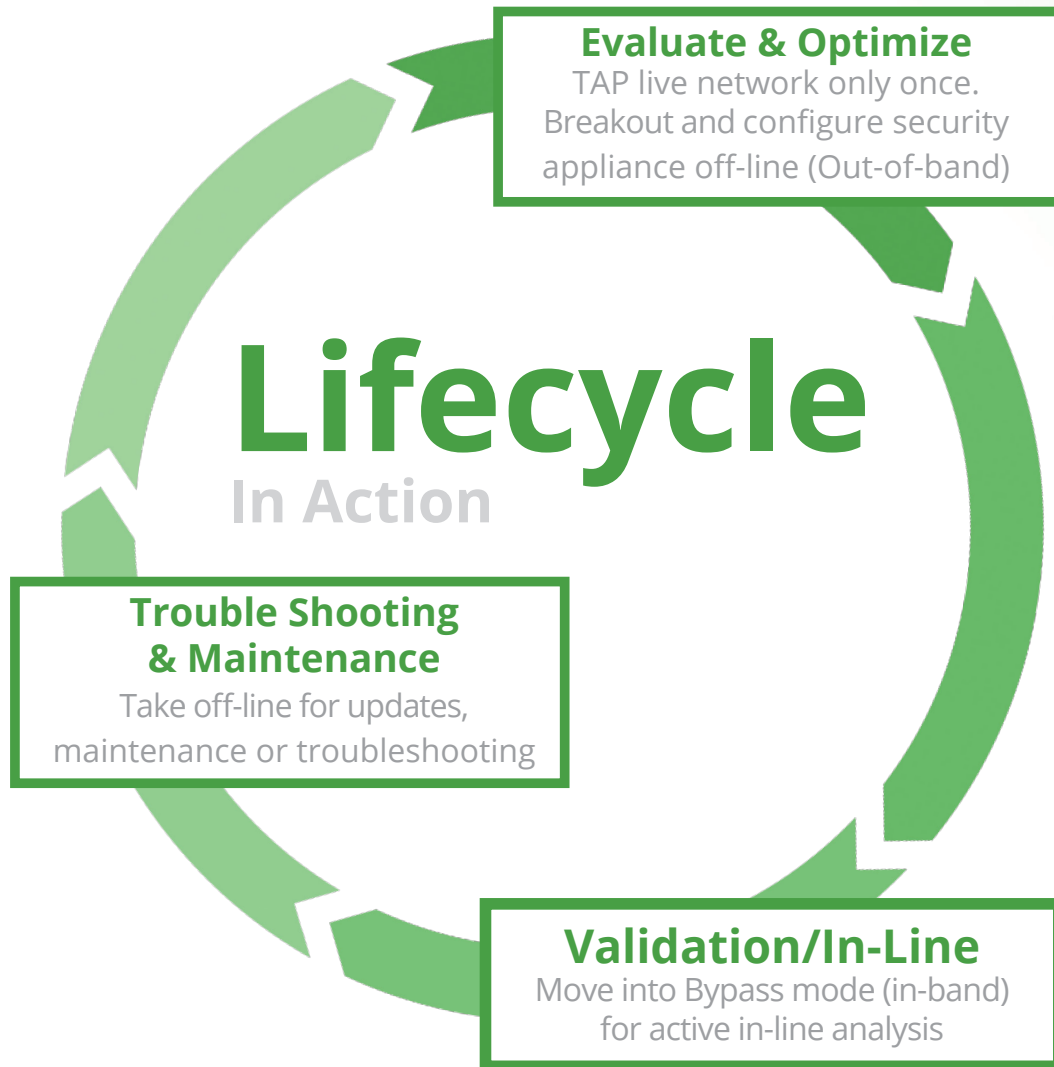


# A Best Practice Guide

For deploying and managing your in-line appliances.



What do Palo Alto Networks, Cisco, and Intel Security all have in common? They partner with Garland Technology as their bypass network TAP vendor of choice.

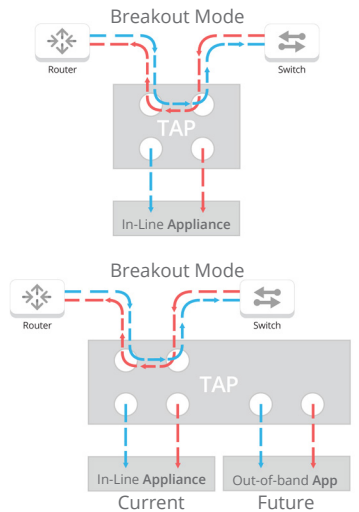
To ensure 100% uptime and visibility for active in-band security appliances.

Network Bypass TAPs have a variety of features, including the ability to go from breakout, aggregating, regenerating and bypass modes meeting your needs today and tomorrow.

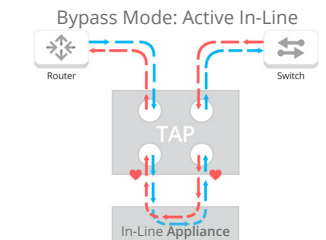
## Advantages

- Network uptime
- Expedited problem resolution
- Anytime access to in-line appliance
- Peace of mind

## Evaluate & Optimize



## Validation/In-Line



## Trouble Shooting & Maintenance

