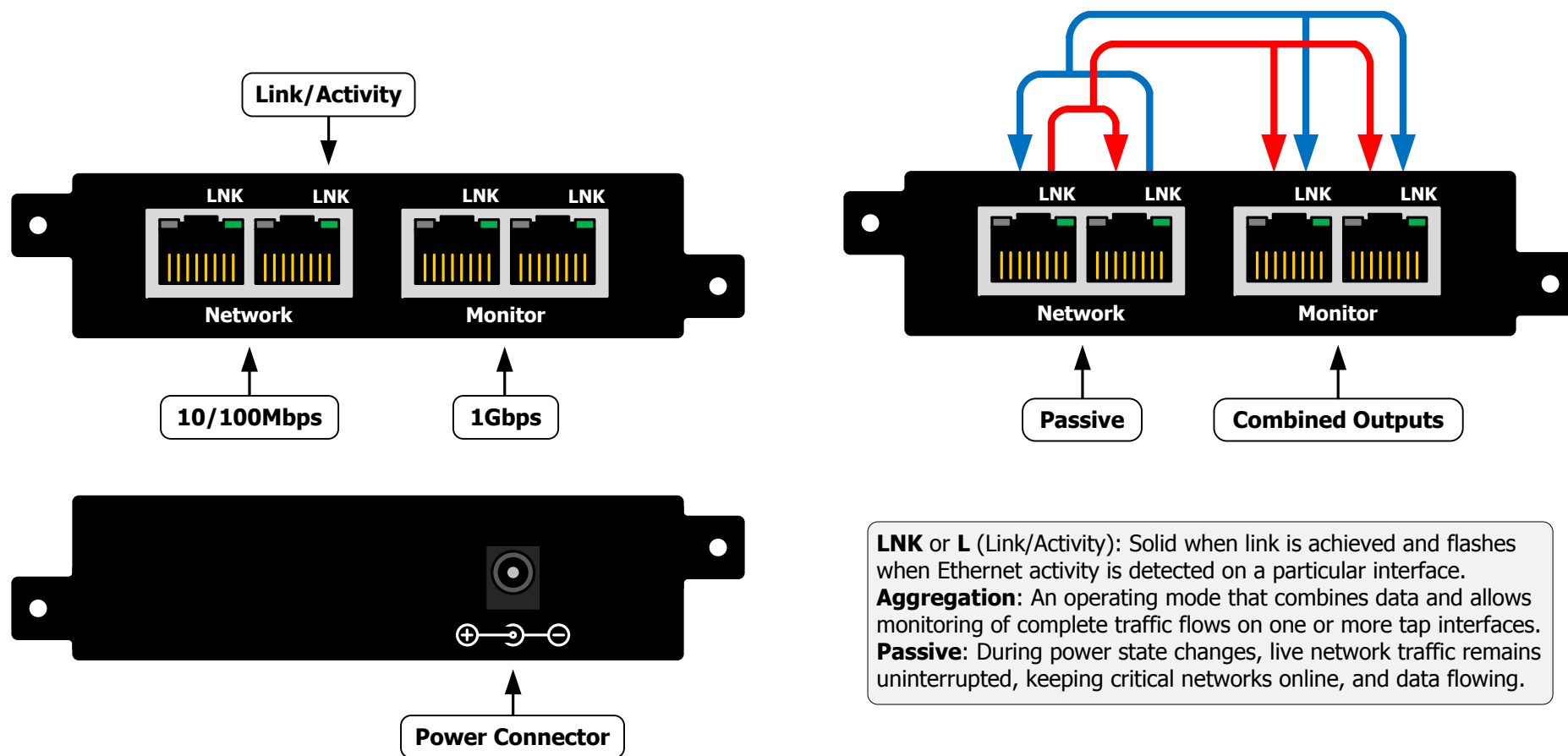


To deploy the P100CCA Portable Tap into your network, simply:

- Unpack the device and attach it to the optional rack mount bracket (RMS1U sold separately)
- Install the P100CCA assembly into any available 1U slot of a network rack and secure it with rack mount screws
- Using one straight-through Ethernet cable and one crossover cable, connect ports [A] and [B] of the P100CCA between the two live network devices where monitoring is desired. Verify network traffic is flowing, confirming that network cabling is correct
- Connect ports [C] and [D] to the monitoring tools for aggregated or combined network monitoring
- Connect the power supply to the P100CCA and plug it in to an available power source
- **Note:** One straight-through and one crossover cable must be used when connecting live network ports. This device may be deployed into 10M or 100Mbps networks. Monitor ports are always 1Gbps, Auto Duplex and Auto MDI/MDIX



LNK or L (Link/Activity): Solid when link is achieved and flashes when Ethernet activity is detected on a particular interface.
Aggregation: An operating mode that combines data and allows monitoring of complete traffic flows on one or more tap interfaces.
Passive: During power state changes, live network traffic remains uninterrupted, keeping critical networks online, and data flowing.